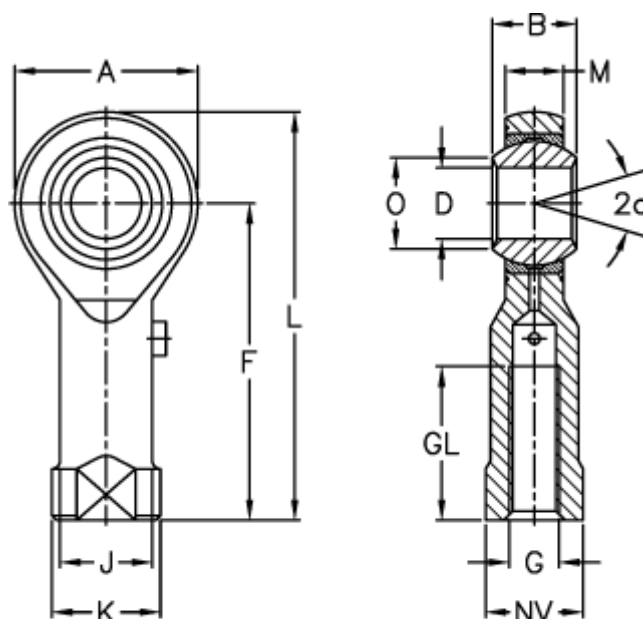


Article number: 03003003

Description: Fluro Rod End GIS 3
Zinc Plated

Measures



Str. 2-3 uden smørenippel

A	= 14	J	= 5	Weight (g) = 6
a (degrees)	= 14	K	= 6.5	
B	= 6	L	= 27	
D	= 3	M	= 4.5	
Dynamic load C (kN)	= 1.8	NV	= 5.5	
F	= 21	O	= 5.1	
G	= M3	Permissible rpm	= 1300	
GL	= 10	Static load C0 (kN)	= 4.1	